

CONTENTS

Introduction **2**

Time for Test Mode **2**

Preparing for the Exam **3**

Using This Exam Guide **4**

What to Bring to the Exam **6**

Let the Test Begin **6**

State Licensing Requirements for General Contractors **9**

Part One: Math Concepts **13**

 The Dreaded Math 14

 Math Rules 14

 Math Review 15

 Floor Framing Terminology 30

 Wall Framing Terminology 31

 Wall Framing Math 32

 Roof Framing Terminology 36

 Roof Types 37

 Roofing Math 38

Part Two: Administration **51**

 Practice Exam 52

Part Three: Design and Planning **55**

 Practice Exam 58

Part Four: Foundations **65**

 Practice Exam 66

Part Five: Floors **71**

 Practice Exam 72

Part Six: Walls **79**

 Practice Exam 80

Part Seven: Wall Coverings **87**

 Practice Exam Based on the IRC® 88

 Practice Exam Based on the IBC® 91

Part Eight: Roof Framing **95**

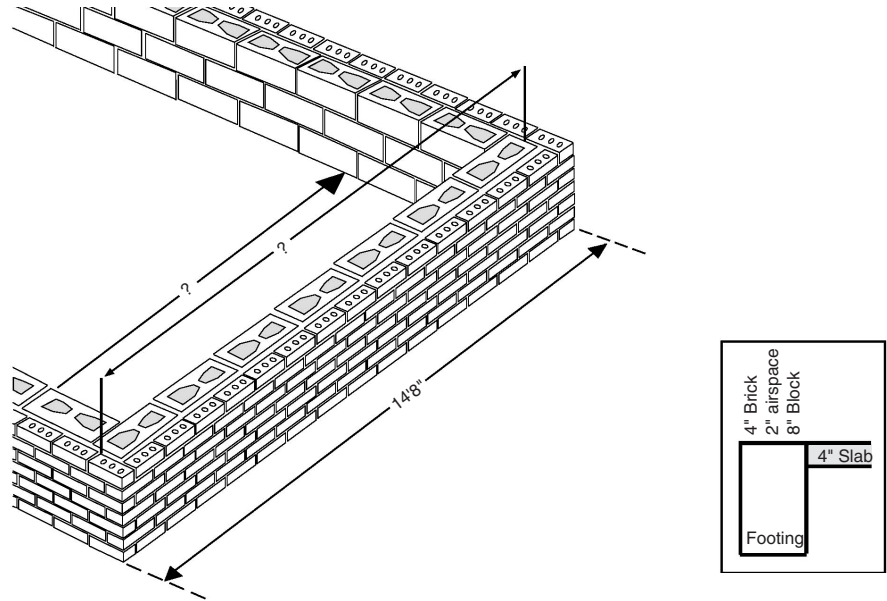
 Practice Exam 96

Part Nine: Roof Coverings **103**

 Practice Exam 104

Part Ten: Chimneys and Fireplaces	111
Practice Exam	112
Part Eleven: Concrete	119
Practice Exam	120
Part Twelve: Masonry	127
Practice Exam	128
Part Thirteen: Carpentry	135
Practice Exam	136
Part Fourteen: Roofing	143
Practice Exam	144
Part Fifteen: Project Management	151
Practice Exam 1	152
Practice Exam 2	159
Part Sixteen: OSHA	165
Practice Exam 1	166
Practice Exam 2	172
Part Seventeen: Comprehensive Final	179
Final Practice Exam	180
Part Eighteen: Answer Keys	205
Part 1: Math Concepts Answer Key	206
Part 2: Administration Answer Key	212
Part 3: Design and Planning Answer Key	213
Part 4: Foundations Answer Key	214
Part 5: Floors Answer Key	215
Part 6: Walls Answer Key	216
Part 7: Wall Coverings Answer Key	217
Part 8: Roof Framing Answer Key	218
Part 9: Roof Coverings Answer Key	219
Part 10: Chimneys and Fireplaces Answer Key	220
Part 11: Concrete Answer Key	221
Part 12: Masonry Answer Key	222
Part 13: Carpentry Answer Key	223
Part 14: Roofing	224
Part 15: Project Management Practice Exam 1 Answer Key	226
Part 15: Project Management Practice Exam 2 Answer Key	227
Part 16: OSHA Practice Exam 1 Answer Key	228
Part 16: OSHA Practice Exam 2 Answer Key	229
Part 17: Comprehensive Final Answer Key	230

Notes



5. Based on the information provided, what is the dimension when measured on the inside of the structure?
- 14.67'
 - 12.67'
 - 13.5'
 - 12.33'
6. If the construction of this building did not include brick and the dimensions of the interior remain the same as determined in Question #1, what is the measurement of the structure?
- 12.67'
 - 13.67'
 - 13.5'
 - 11.67'

Notes

work a calculator. For exam purposes, the understanding is even more critical because you will have to visualize and sketch the exercise. For example, in the real world, it would be simple to locate the position of a 3' door to be installed 10' from the edge of the room. The plans would indicate that the 10' is the center of the 3' door. An experienced carpenter would simply pull the measuring tape from the edge of the room and mark the 10' point. He would then add $2\frac{1}{2}$ " to the size of the door and divide the total by 2. This would provide the second and third pencil mark to be made. Half of $38\frac{1}{2}$ " is $19\frac{1}{4}$ ". The carpenter would measure $19\frac{1}{4}$ " to the right of the 10' mark and $19\frac{1}{4}$ " to the left of the 10' mark. These marks would indicate where the edge of the trimmer stud (jack) should be installed. The following examples indicate how this question may be presented on an exam.

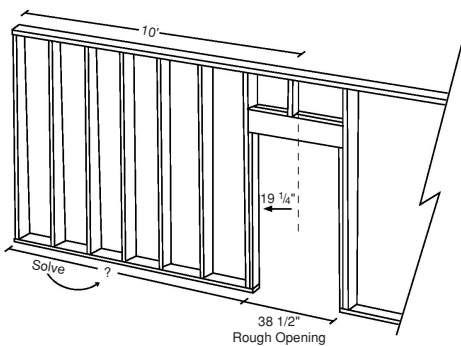
Example:

The center of the rough opening for a 3' door is indicated on the plans as being 10' from the edge of the room. What is the measurement from the edge of the room to the first beginning point of the rough opening?

- 100.75"
- 99.25"
- 98.75"
- 97.25"

Explanation:

Begin by sketching the information as it is described. Make a dimension line from the left to right indicating 10' to the center of an opening. The opening is 38.5 inches —the 3' for the door plus $2\frac{1}{2}$ " for the rough opening. Divide the rough opening by 2. Draw the dimension line, indicating 19.25". Subtract 19.25" from 120": $120 - 19.25 = 100.75$ ". This is the measurement from edge of the room to where the rough opening begins. The answer is (a).



Study Tip

Emergency Escape can also be referred to as Exit or Egress.

1. For an emergency escape opening in a habitable space, the minimum net clear opening width is specified as _____ inches.
 - a. 20
 - b. 22
 - c. 24
 - d. 28

2. Open access from a garage into a room intended for sleeping purposes is prohibited and should be closed. If a solid wood door is installed, the minimum thickness of the door must be _____ inches.
 - a. $1\frac{1}{4}$
 - b. $1\frac{1}{2}$
 - c. $1\frac{3}{8}$
 - d. 2

3. The minimum uniformly distributed live load for a room with an intended use of sleeping is designated as _____ psf.
 - a. 10
 - b. 20
 - c. 30
 - d. 50

4. To test the allowable triangular-shaped opening created by the riser, tread, and bottom rail of a guard on an open stairway, a sphere of _____ inches in diameter cannot pass through.
 - a. 4
 - b. 6
 - c. 8
 - d. 10

21. It is estimated the concrete formwork can account for as much as ___ of the cost for a concrete structure.
- a. 20%
 - b. 40%
 - c. 60%
 - d. 75%
22. A drop chute must be used for concrete that will be dropped more than ___ feet.
- a. 3
 - b. 4
 - c. 5
 - d. 6
23. Longitudinal joints installed to control cracking caused by temperature variations in pavement slabs are called _____ joints.
- a. warping
 - b. construction
 - c. isolation
 - d. expansion
24. To increase the slump of concrete by 1 inch, the rule of thumb is to add ___ gallon(s) of water.
- a. 1
 - b. $1\frac{1}{4}$
 - c. $1\frac{1}{2}$
 - d. $1\frac{3}{4}$

Study Tip

A slump test is used to measure consistency of concrete. Concrete is placed in a cone, the cone is then removed causing the concrete to “slump” downward. A measurement is taken from the top of the cone to where the concrete settles—this measurement is the slump.

Notes

65. d		
66. d	IRC 303.1	IBC 1203.4 (8% of 100 square feet)
67. b	IRC 404.1.5.1	IBC 1805.5.7
68. a	IRC 502.8.1	IBC 2308.2
69. b	IRC 602.5	IBC 2308.9.2.3
70. a	IRC Table 802.4(1)	IBC Table 2308.10.2(1)
71. b	R905.5.5.2	1507.6.2
72. c	R1001.14	2113.18
73. d		
74. b		
75. c		
76. d	IRC 106.2	IBC 106.2
77. b	IRC 312.1	IBC 1012.1
78. b	IRC 309.2	IBC 406.1.4
79. a	IRC 403.1.4.1 exception	IBC 1805.2.1 exception
80. c	IRC 502.12	IBC 717.3.3
81. b	IRC 502.7.1	IBC 2308.8.5
82. c	IRC Table 602.3(5)	IBC Table 2308.9.1
83. b	IRC 802.7.1	IBC 2308.10.4.2
84. a	R905.3.2	1507.3.2
85. b	1926.651	
86. b	R1003.2	2111.2
87. a		
88. c		
89. d	IRC 311.6.1	IBC 1010.2
90. a		
91. a	IRC 310.1.1	IBC 1025.2
92. b	IRC 502.6.1	IBC 2308.8.2
93. d	IRC 602.6	IBC 2308.9.11
94. b	IRC 802.7.1	IBC 2308.10.4.2
95. a		